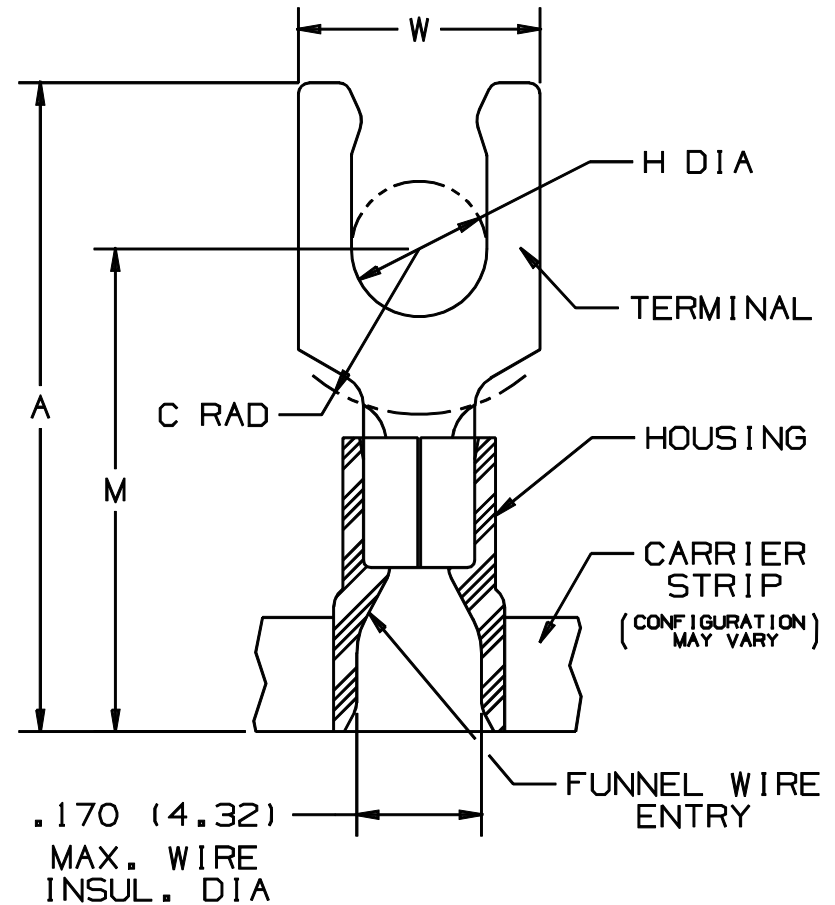


THIS COPY IS PROVIDED ON A RESTRICTED BASIS AND IS NOT TO BE USED IN ANY WAY DETRIMENTAL TO THE INTERESTS OF PANDUIT CORP.

| PANDUIT PART NUMBER | STUD SIZE | DIMENSIONS in. |               |               |                |               |
|---------------------|-----------|----------------|---------------|---------------|----------------|---------------|
|                     |           | A $\pm .03$    | W $\pm .01$   | C $\pm .02$   | M $\pm .03$    | H $\pm .01$   |
| PV14-6LFB-3K        | #6        | .85<br>(21.59) | .25<br>(6.35) | .18<br>(4.57) | .63<br>(16.00) | .14<br>(3.56) |
| PV14-6LFWB-3K       | #6        | .85<br>(21.59) | .29<br>(7.37) | .18<br>(4.57) | .63<br>(16.00) | .14<br>(3.56) |
| PV14-8LFB-3K        | #8        | .92<br>(23.37) | .29<br>(7.37) | .23<br>(5.84) | .68<br>(17.27) | .16<br>(4.06) |
| PV14-10LFB-3K       | #10       | .92<br>(23.37) | .33<br>(8.38) | .23<br>(5.84) | .68<br>(17.27) | .19<br>(4.83) |
| PV14-10LFNB-3K*     | #10       | .92<br>(23.37) | .28<br>(7.11) | .23<br>(5.84) | .68<br>(17.27) | .19<br>(4.83) |

NOTES :

- UL LISTED AND CSA CERTIFIED FOR :
  - 600 V MAX. VOLTAGE RATING
  - 221°F (105°C) MAX. TEMP. RATING
  - #16-14 AWG (1.5-2.5 mm<sup>2</sup>) SOLID OR STRANDED, COPPER WIRE
- PACKAGE QTY. : - 3K = 3000 PCS.  
CONTINUOUS MOLDED CARRIER STRIP
- MATERIAL :
  - STAMPING - .03" THK COPPER, TIN PLATED
  - HOUSING - BLUE VINYL
- DIMENSIONS IN BRACKETS ARE IN MILLIMETERS
- INSTALLATION TOOLS :
  - PRESSES - CP-851, CP-860, CP-861
  - APPLICATOR - CA-800
  - DIE INSERTS - CD-800-2
- WIRE STRIP LENGTH:  $1/4" + 1/32"_{-0}^{+0.8}$



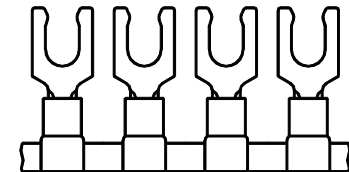
\* PV14-10LFNB-3K IS NOT UL LISTED OR CSA CERTIFIED



LISTED  
587H  
E52164



CERTIFIED  
LR31212



A41071\_03

|     |       |     |     |  |       |    |     |  |
|-----|-------|-----|-----|--|-------|----|-----|--|
| 03  | 12/00 | ED  |     | FILESPEC WAS: N41071AA_PCD_02                      | 08925 |    |     | <p>PANDUIT CORP. TINLEY PARK, ILLINOIS</p> <p>TERMO 2PC. CONTINUOUSLY MOLDED VINYL INSULATED, #16-14 BARREL, LOCKING FORKS</p> |
| 02  | 1/96  | ED  |     | REV.S TO NOTES AND DIM.S FILESPEC WAS: A41071A.PRT | 03925 |    |     |  |
| 01  | 3/88  | DSM |     | REDRAWN ON CAD                                     |       | KS | LA  |  |
| REV | DATE  | BY  | CHK | DESCRIPTION  | ECN # | PM | SUP | DRAWN BY DSM<br>Ck'D FS<br>SCALE NONE<br>DRAWING NO. A41071  |